

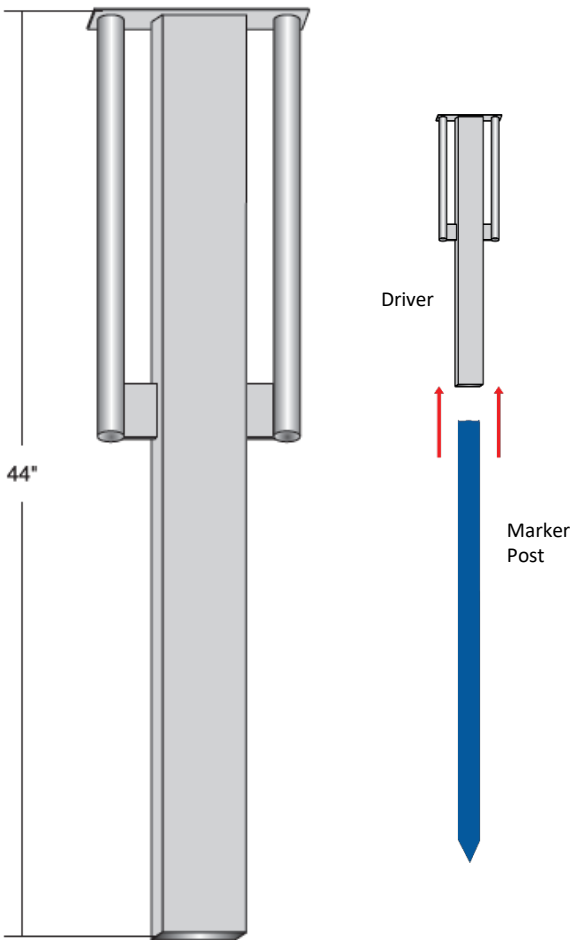


MAMBA MARKER DRIVER

FOR FLAT MARKER POST

APPLICATION

Installation tool for driving flat fiberglass markers into the ground. Makes installation quick and easy.



Marker Driver

Weight 16.5 lbs.

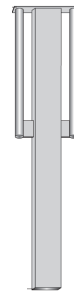
Manufactured from steel and powder coated for maximum durability.



Flat Marker Post

The **Mamba Marker Driver** is used to install the **Mamba Flat Marker Post**.

Mamba Flat Marker Driver - MAMBA-DRVR



FEATURES AND BENEFITS

- Superior construction
- Manufactured steel for extra strength
- Quality powder coated finish for durability
- Highly resistant to wear and tear
- Long life

