



# MAMBA ROUND CATHODIC MARKER POST

## INSTALLATION INSTRUCTIONS

PART# MAMBA-RND-C-\*

1. Dig hole 18" deep by 6" wide (Fig 1).
2. Run wire up through the bottom of the marker post.
3. Strip  $\frac{3}{4}$ " of the wire jacket from wire end.
4. With a needle nose pliers, bend a pigtail on the wire end.
5. Remove hardware from hardware pack and assemble hardware onto terminal board as shown (Fig 2).
6. Hook pigtailed wire around a terminal screw, between the two nuts, and tighten the nut onto the wire.
7. Place post into ground (Fig 3).
8. Backfill dirt and tamp (Fig 4).

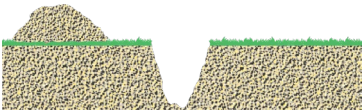


Fig. 1

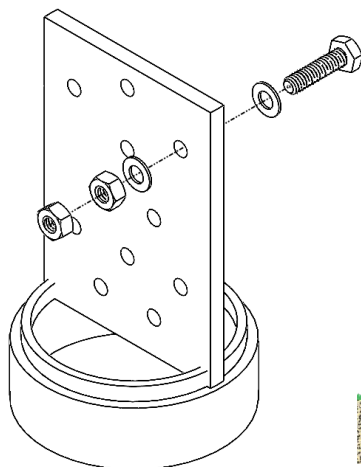


Fig. 2

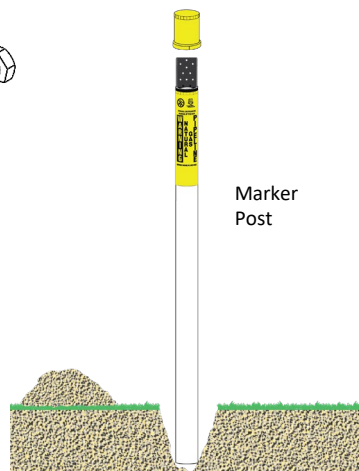


Fig. 3

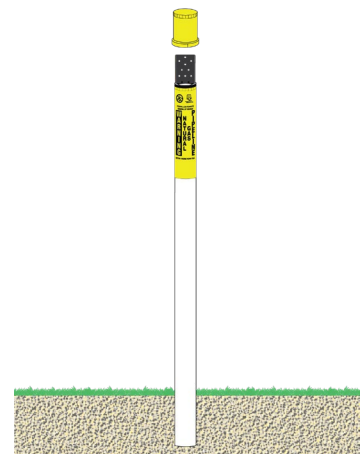


Fig. 4